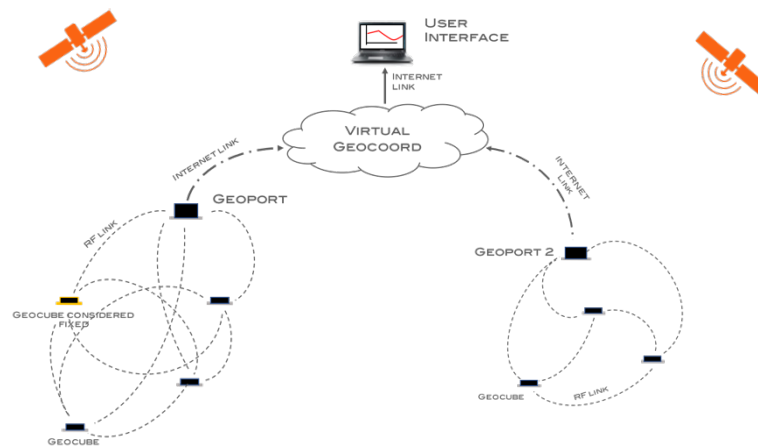


GEOPORT DATASHEET

Geoport datasheet	1
I. Description	1
II. Absolute maximum ratings.....	2
III. Operating conditions.....	2
IV. Specifications.....	2



I. DESCRIPTION

The Geoport is a device used to communicate with the Geocubes and the distant server where calculations are made.

Through a 2,4 GHz network it receives the following information from each Geocubes :

- Gross positioning data (UBX format)
- Other logged sensor data (temperature, voltage, etc.)
- Specific operating information either through regularly or through specific requests (number of satellites logged, firmware version, etc.)
- Radio connection RSSI
- Functional alarms

Though the same 2,4 GHz network the Geoport also sends the following information when necessary to the Geocube :

- Firmware upgrades
- Status requests
- Process parameters for each Geocube (fixed/mobile, frequency, etc.)

A SIM card needs to be inserted in the Geoport to allow it to communicate with the server through a 3G network (see “Geoport user manual”). Through the 3G network, the Geoport sends the following information:

- Gross positioning data of all Geocubes connected to it
- Information linked to other sensors from every Geocube
- Operating information
- Radio connection status for the entire 2,4 GHZ network
- Functional alarms

Through 3G, a Geoport receives the following information:

- Global process parameters
- Status requests
- Firmware upgrades process

II. ABSOLUTE MAXIMUM RATINGS

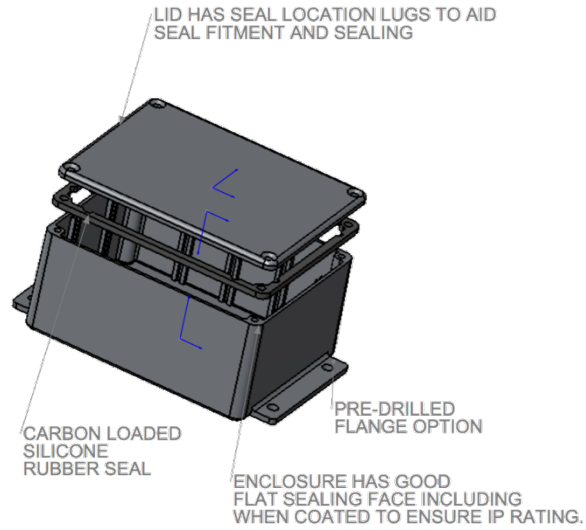
Parameter	Symbol	Min	Typ.	Max	Unit	Remarks/Conditions
Ingress Protection Rating	IP		IP68			
Storage temperature range	STR	-40		80	°C	
Shock resistance	IK		IK7			
Maximum number of connected Geocubes	NGN	1		50		
Supply voltage	VS	4.5	5	18	V	

III. OPERATING CONDITIONS

Parameter	Symbol	Min	Typ.	Max	Unit	Remarks/Conditions
Operating temperature range	OTR	-40		65	°C	
Distance to radio connected Geocubes				10	km	

IV. SPECIFICATIONS

Parameter	Min	Max	Unit	Remarks/Conditions
Power consumption active mode		1	W	
Power consumption sleeping mode		0.004	W	
Radio frequency		2.4	GHz	
Radio range		200	m	
3G connection				



Dimensions

L : 139.7 mm l : 89.1 mm h : 55.9 mm

Distance between base screw holes

L : 127 mm l : 50 mm

Screw hole width : 5.5 mm

For setup instructions, please check the “Geoport User Manual” document.